

# Y.LIN ELECTRONICS CO.,LTD.

## 4 PIN DIP PHOTOTRANSISTOR PHOTOCOUPLER

JC817 Series

### Features:

- Current transfer ratio  
(CTR: 50~600% at  $I_F = 5\text{mA}$ ,  $V_{CE} = 5\text{V}$ )
- High isolation voltage between input and output ( $V_{iso} = 5000\text{ V rms}$ )
- Creepage distance  $> 7.62\text{ mm}$
- Operating temperature up to  $+110^\circ\text{C}$
- Compact small outline package
- Pb free and RoHS compliant.



### Description

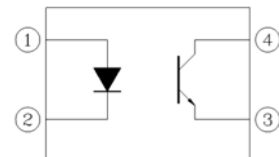
The JC817 series of devices each consist of an infrared emitting diodes, optically coupled to a phototransistor detector.

They are packaged in a 4-pin DIP package and available in wide-lead spacing and SMD option.

### Applications

- Programmable controllers
- System appliances, measuring instruments
- Telecommunication equipments
- Home appliances, such as fan heaters, etc.
- Signal transmission between circuits of different potentials and impedances

### Schematic



### Pin Configuration

1. Anode
2. Cathode
3. Emitter
4. Collector

# Y.LIN ELECTRONICS CO.,LTD.

## 4 PIN DIP PHOTOTRANSISTOR PHOTOCOUPLER

JC817 Series

### Absolute Maximum Ratings ( $T_a=25^{\circ}\text{C}$ )

Parameter		Symbol	Rating	Unit
Input	Forward current	$I_F$	50	mA
	Peak forward current (1us, pulse)	$I_{FP}$	1	A
	Reverse voltage	$V_R$	6	V
	Power dissipation	$P_D$	70	mW
	Derating factor ( above $T_a = 100^{\circ}\text{C}$ )		2.9	mW/ $^{\circ}\text{C}$
Output	Power dissipation	$P_C$	150	mW
	Derating factor (above $T_a = 100^{\circ}\text{C}$ )		5.8	mW/ $^{\circ}\text{C}$
	Collector current	$I_C$	50	mA
	Collector-Emitter voltage	$V_{CEO}$	35	V
	Emitter-Collector voltage	$V_{ECO}$	6	V
Total power dissipation		$P_{TOT}$	200	mW
Isolation voltage <sup>*1</sup>		$V_{ISO}$	5000	V rms
Operating temperature		$T_{OPR}$	-55 ~ +110	$^{\circ}\text{C}$
Storage temperature		$T_{STG}$	-55 ~ +125	$^{\circ}\text{C}$
Soldering temperature <sup>*2</sup>		$T_{SOL}$	260	$^{\circ}\text{C}$

#### Notes

\*1 AC for 1 minute, R.H.= 40 ~ 60% R.H. In this test, pins 1 & 2 are shorted together, and pins 3 & 4 are shorted together.

\*2 For 10 seconds.

# Y.LIN ELECTRONICS CO.,LTD.

## 4 PIN DIP PHOTOTRANSISTOR PHOTOCOUPLER

## JC817 Series

### Electrical Characteristics ( $T_a=25^\circ\text{C}$ unless specified otherwise)

#### Input

Parameter	Symbol	Min.	Typ.*	Max.	Unit	Condition
Forward voltage	$V_F$	-	1.2	1.4	V	$I_F = 20\text{mA}$
Reverse current	$I_R$	-	-	10	$\mu\text{A}$	$V_R = 4\text{V}$
Input capacitance	$C_{in}$	-	30	250	pF	$V = 0, f = 1\text{kHz}$

#### Output

Parameter	Symbol	Min.	Typ.*	Max.	Unit	Condition
Collector-Emitter dark current	$I_{CEO}$	-	-	100	nA	$V_{CE} = 20\text{V}, I_F = 0\text{mA}$
Collector-Emitter breakdown voltage	$BV_{CEO}$	35	-	-	V	$I_C = 0.1\text{mA}$
Emitter-Collector breakdown voltage	$BV_{ECO}$	6	-	-	V	$I_E = 0.1\text{mA}$

### Transfer Characteristics ( $T_a=25^\circ\text{C}$ unless specified otherwise)

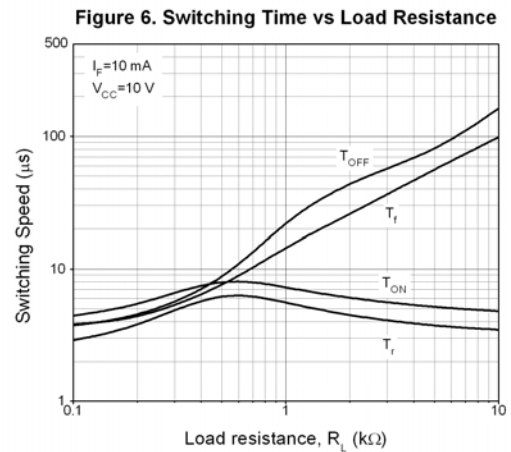
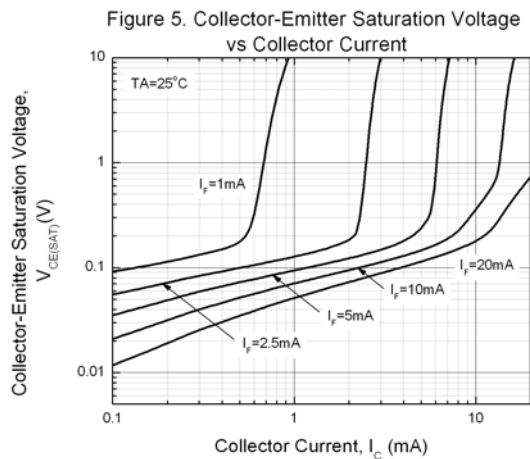
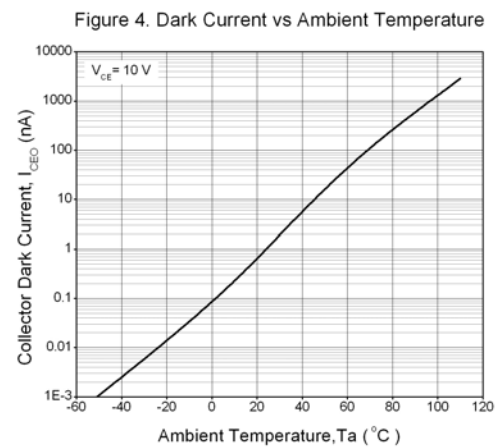
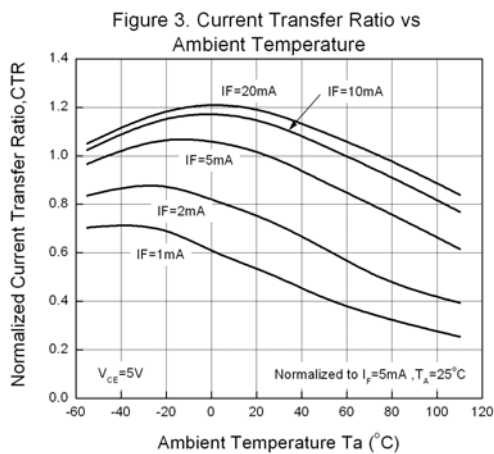
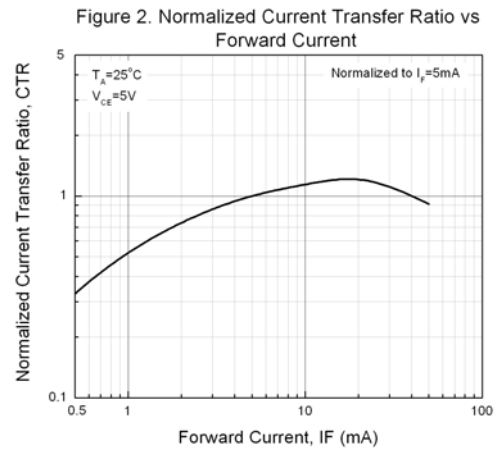
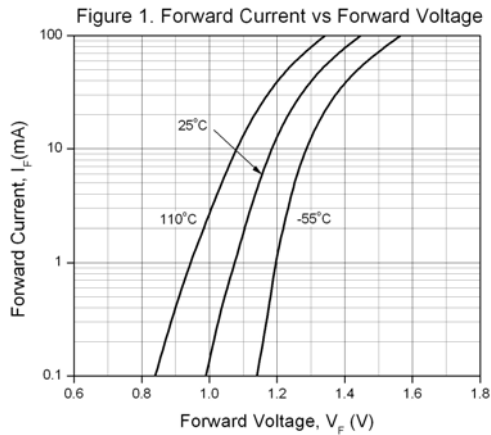
Parameter	Symbol	Min.	Typ.*	Max.	Unit	Condition
Current Transfer ratio	EL817	50	-	600	%	$I_F = 5\text{mA}, V_{CE} = 5\text{V}$
	EL817A	80	-	160		
	EL817B	130	-	260		
	EL817C	200	-	400		
	EL817D	300	-	600		
Collector-Emitter saturation voltage	$V_{CE(sat)}$	-	0.1	0.2	V	$I_F = 20\text{mA}, I_C = 1\text{mA}$
Isolation resistance	$R_{IO}$	$5 \times 10^{10}$	-	-	$\Omega$	$V_{IO} = 500\text{Vdc}, 40\sim 60\% \text{ R.H.}$
Floating capacitance	$C_{IO}$	-	0.6	1.0	pF	$V_{IO} = 0, f = 1\text{MHz}$
Cut-off frequency	$f_c$	-	80	-	kHz	$V_{CE} = 5\text{V}, I_C = 2\text{mA}$ $R_L = 100\Omega, -3\text{dB}$
Rise time	$t_r$	-	4	18	$\mu\text{s}$	$V_{CE} = 2\text{V}, I_C = 2\text{mA},$ $R_L = 100\Omega$
Fall time	$t_f$	-	3	18	$\mu\text{s}$	

\* Typical values at  $T_a = 25^\circ\text{C}$

## 4 PIN DIP PHOTOTRANSISTOR PHOTOCOUPLER

### JC817 Series

### Typical Performance Curves



## 4 PIN DIP PHOTOTRANSISTOR PHOTOCOUPLER

JC817 Series

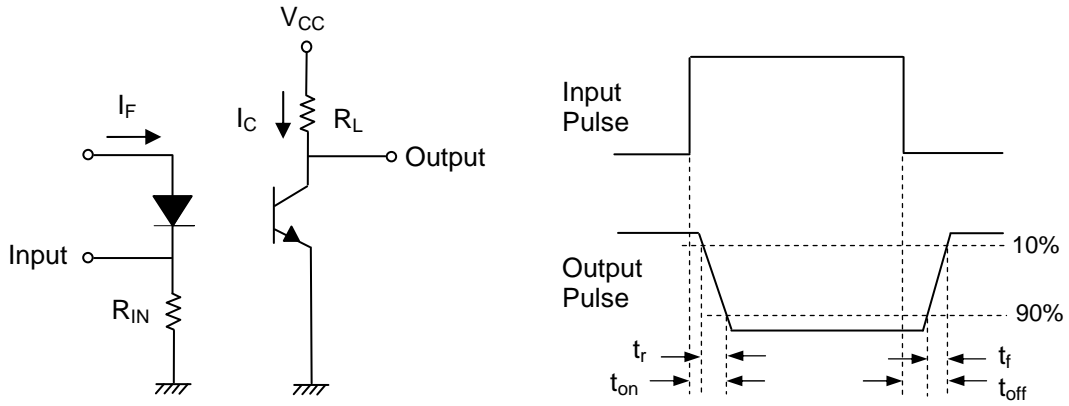


Figure 7. Switching Time Test Circuit & Waveforms

# Y.LIN ELECTRONICS CO.,LTD.

## 4 PIN DIP PHOTOTRANSISTOR PHOTOCOUPLER

JC817 Series

---

### Order Information

#### Part Number

#### Note

- X = Lead form option (S, S1, M or none)
- Y = CTR Rank (A, B, C, D or none)
- Z = Tape and reel option (TA, TB, TU, TD or none).
- F = Lead frame option (F: Iron, None: copper)
- V = VDE optin.

Option	Description	Packing quantity
None	Standard DIP-4	100 units per tube
M	Wide lead bend (0.4 inch spacing)	100 units per tube
S (TA)	Surface mount lead form + TA tape & reel option	1000 units per reel
S (TB)	Surface mount lead form + TB tape & reel option	1000 units per reel
S1 (TA)	Surface mount lead form (low profile) + TA tape & reel option	1000 units per reel
S1 (TB)	Surface mount lead form (low profile) + TB tape & reel option	1000 units per reel
S (TU)	Surface mount lead form + TU tape & reel option	1500 units per reel
S (TD)	Surface mount lead form + TD tape & reel option	1500 units per reel
S1 (TU)	Surface mount lead form (low profile) + TU tape & reel option	1500 units per reel
S1 (TD)	Surface mount lead form (low profile) + TD tape & reel option	1500 units per reel

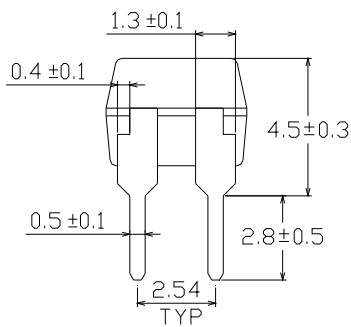
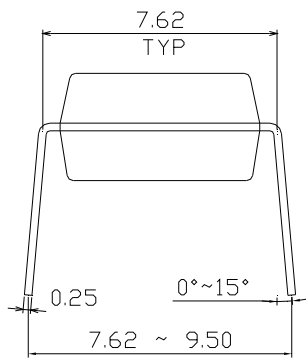
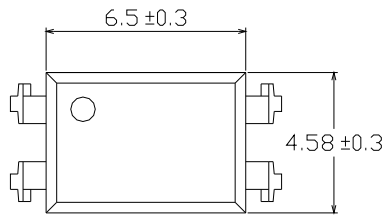
# Y.LIN ELECTRONICS CO.,LTD.

## 4 PIN DIP PHOTOTRANSISTOR PHOTOCOUPLER

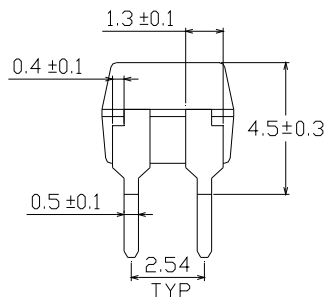
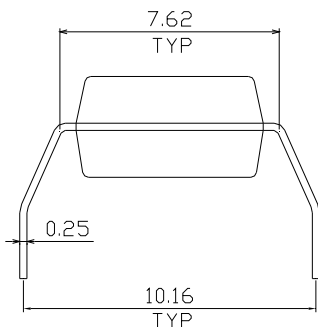
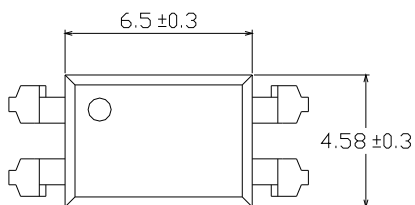
JC817 Series

### Package Drawing (Dimensions in mm)

#### Standard DIP Type



#### Option M Type

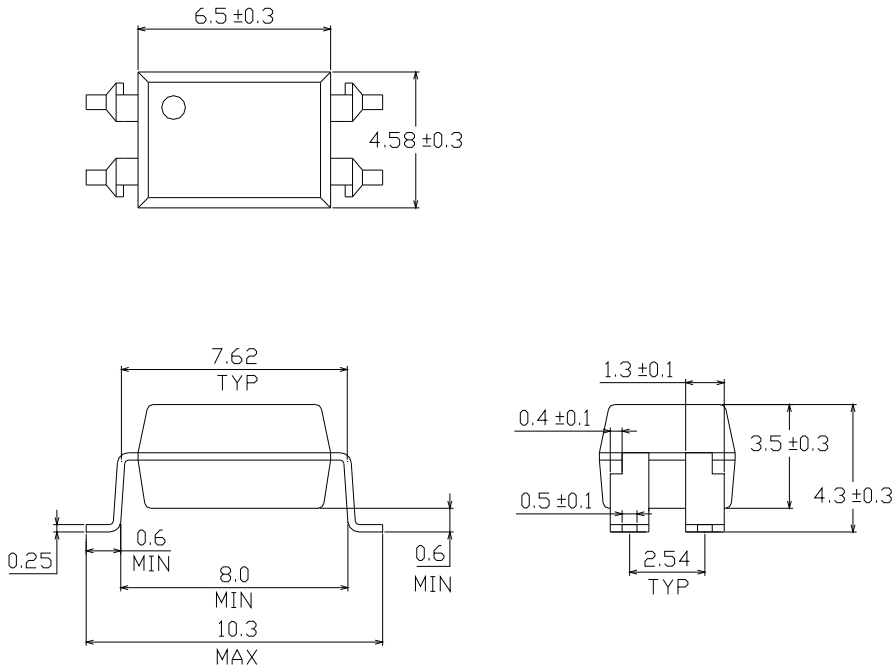


# Y.LIN ELECTRONICS CO.,LTD.

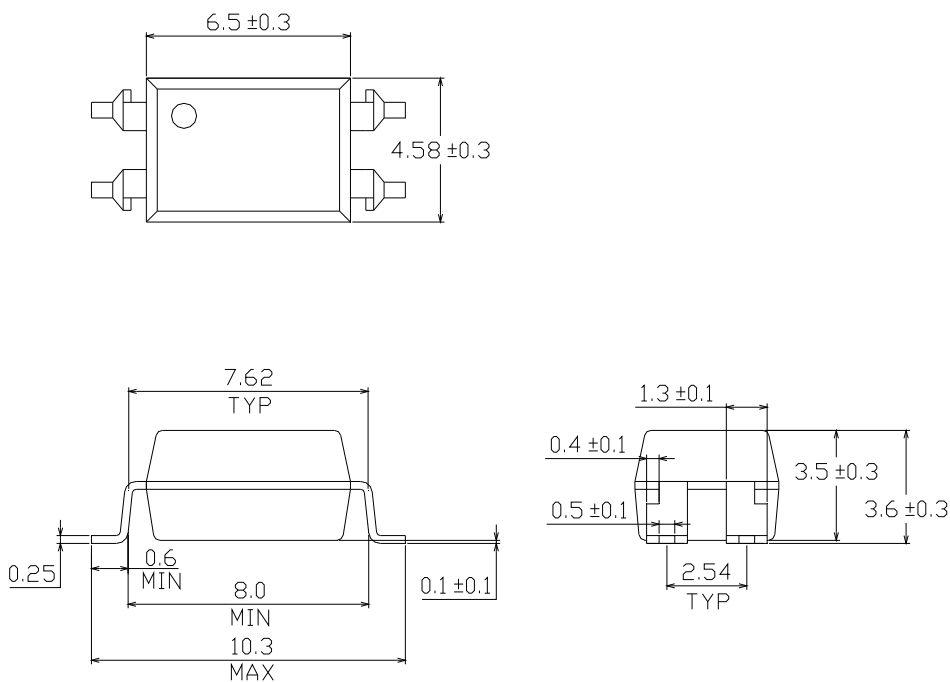
## 4 PIN DIP PHOTOTRANSISTOR PHOTOCOUPLER

JC817 Series

### Option S Type



### Option S1 Type



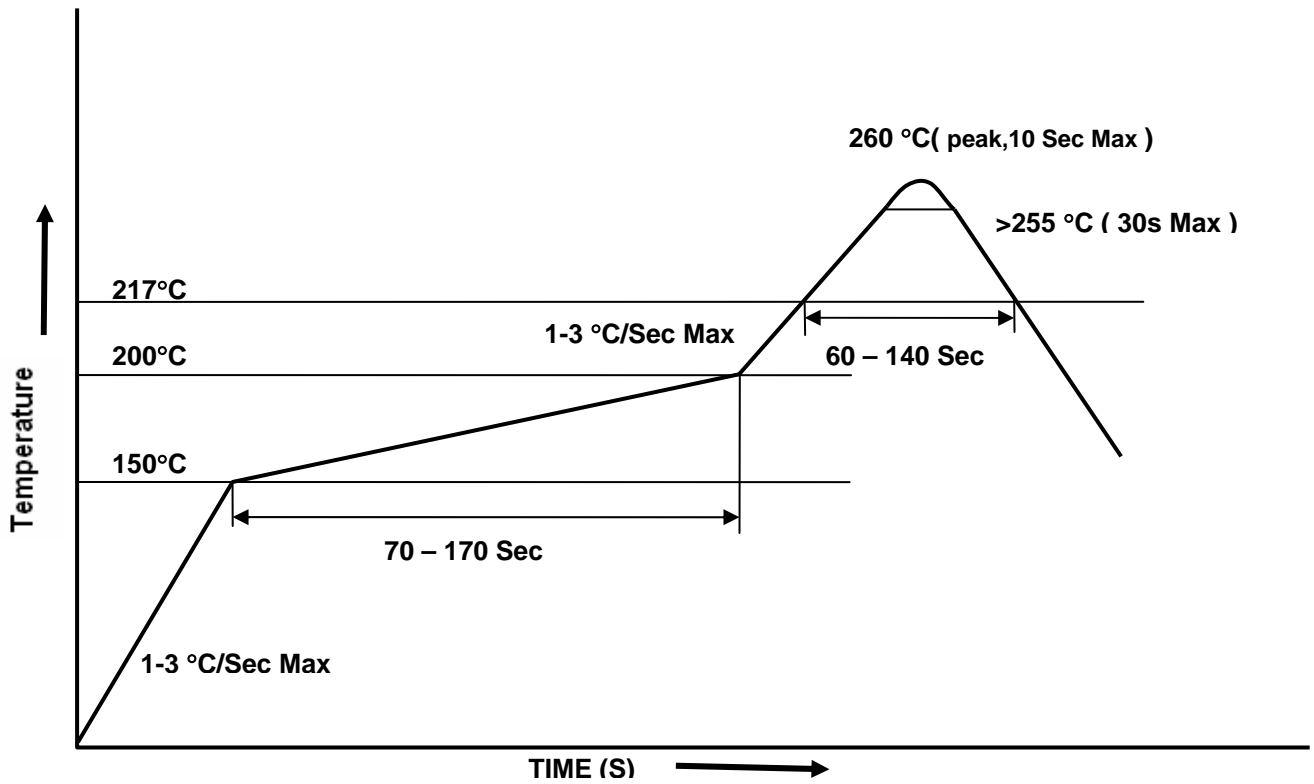


# Y.LIN ELECTRONICS CO.,LTD.

## 4 PIN DIP PHOTOTRANSISTOR PHOTOCOUPLER

JC817 Series

### Solder Reflow Temperature Profile



# Y.LIN ELECTRONICS CO.,LTD.

## 4 PIN DIP PHOTOTRANSISTOR PHOTOCOUPLER

JC817 Series

---

### DISCLAIMER

1. The specifications in this datasheet may be changed without notice. Y.LIN reserves the authority on material change for above specification.
2. When using this product, please observe the absolute maximum ratings and the instructions for use as outlined in this datasheet. Y.LIN assumes no responsibility for any damage resulting from use of the product which does not comply with the absolute maximum ratings and the instructions included in this datasheet.
3. These specification sheets include materials protected under copyright of Y.LIN. Reproduction in any form is prohibited without the specific consent of YLIN.